



DECLARATION OF PERFORMANCE



DoP: 0034

for fischer Bolt anchor FXA (Metal anchors for use in concrete (heavy-duty type)) – EN

1. Unique identification code of the product-type: **DoP: 0034**
2. Intended use/es: **Post-installed fastening in uncracked concrete, see appendix, especially Annexes B 1 to B 3**
3. Manufacturer: **fischerwerke GmbH & Co. KG, Klaus-Fischer-Straße 1, 72178 Waldachtal, Germany**
4. Authorised representative: --
5. System/s of AVCP: **1**
6. European Assessment Document: **EAD 330232-00-0601**

European Technical Assessment: **ETA-13/0772; 2017-09-27**

Technical Assessment Body: **DIBt**

Notified body/ies: **1343 – MPA Darmstadt**

7. Declared performance/s:

Mechanical resistance and stability (BWR 1),

- **Characteristic resistance for tension and shear loads in concrete: See appendix, especially Annexes C 1 to C 2**
- **Displacements under tension and shear loads: See appendix, especially Annex C 2**

Safety in case of fire (BWR 2)

- **Reaction to fire: Anchorages satisfy requirements for Class A 1**
- **Resistance to fire: NPD**

8. Appropriate Technical Documentation and/or Specific Technical Documentation: ---

The performance of the product identified above is in conformity with the set of declared performance/s. This declaration of performance is issued, in accordance with Regulation (EU) No 305/2011, under the sole responsibility of the manufacturer identified above.

Signed for and on behalf of the manufacturer by:

Andreas Bucher, Dipl.-Ing.

Wolfgang Hengesbach, Dipl.-Ing., Dipl.-Wirtsch.-Ing.

Tumlingen, 2017-10-06

- This DoP has been prepared in different languages. In case there is a dispute on the interpretation the english version shall always prevail.
- The Appendix includes voluntary and complementary information in English language exceeding the (language-neutrally specified) legal requirements.

Specific Part**1 Technical description of the product**

The Fischer Bolt anchor FXA is an anchor made of zinc plated or stainless steel which is placed into a drilled hole and anchored by torque-controlled expansion.

The product description is given in Annex A.

2 Specification of the intended use in accordance with the applicable European Assessment Document

The performances given in Section 3 are only valid if the anchor is used in compliance with the specifications and conditions given in Annex B.

The verifications and assessment methods on which this European Technical Assessment is based lead to the assumption of a working life of the anchor of at least 50 years. The indications given on the working life cannot be interpreted as a guarantee given by the producer, but are to be regarded only as a means for choosing the right products in relation to the expected economically reasonable working life of the works.

3 Performance of the product and references to the methods used for its assessment**3.1 Mechanical resistance and stability (BWR 1)**

Essential characteristic	Performance
Characteristic resistance for tension and shear loads in concrete	See Annex C 1 and C 2
Displacements under tension and shear loads	See Annex C 2

3.2 Safety in case of fire (BWR 2)

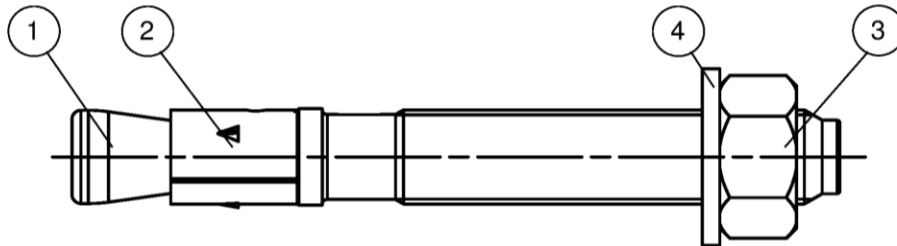
Essential characteristic	Performance
Reaction to fire	Anchorage satisfies requirements for Class A1
Resistance to fire	No performance assessed

4 Assessment and verification of constancy of performance (AVCP) system applied, with reference to its legal base

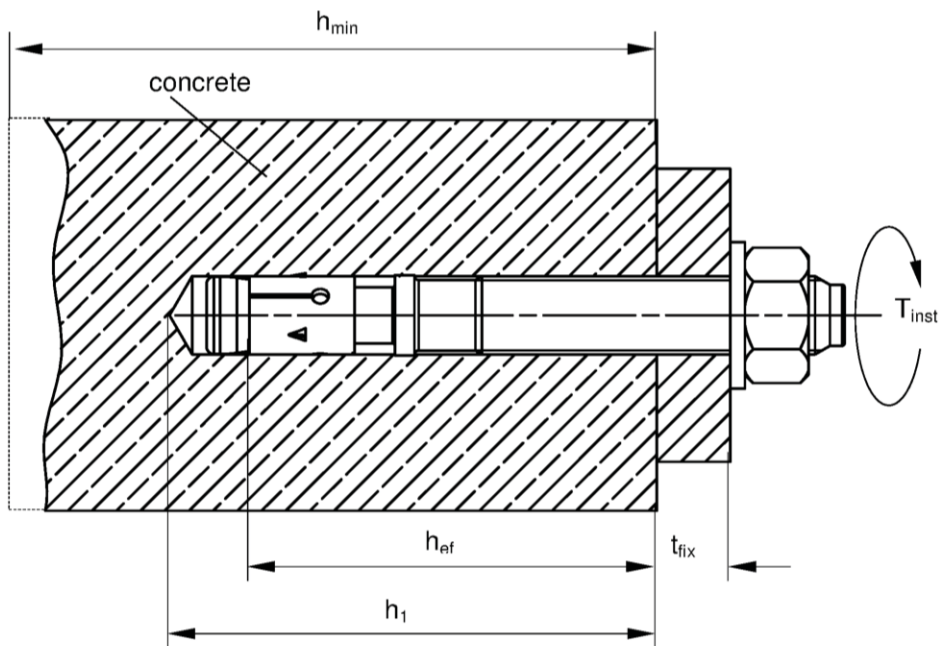
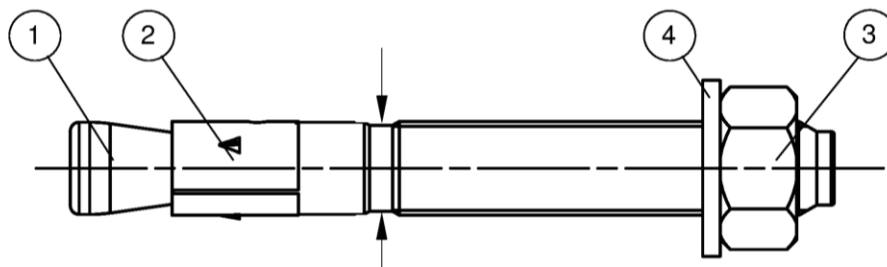
In accordance with European Assessment Documents EAD No. 330232-00-0601 the applicable European legal act is: [96/582/EC].

The system to be applied is: 1

Cone bolt manufactured by cold - forming:



Cone bolt manufactured by turning:



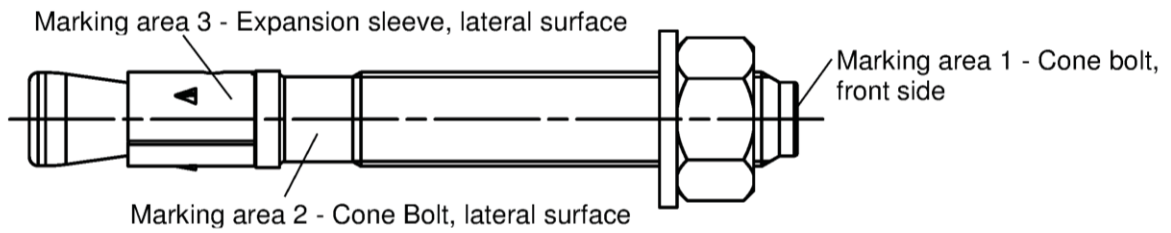
- ① Cone bolt (cold – formed or turned)
- ② Expansion sleeve
- ③ Hexagon nut
- ④ Washer

- h_{ef} = Effective anchorage depth
- t_{fix} = Thickness of fixture
- h_1 = Drill hole depth
- h_{min} = Thickness of concrete member
- T_{inst} = Required torque moment

fischer Bolt Anchor FXA, FXA A4

Product description
Installed condition

Annex A 1



Product marking, example: **FXA 12/10 A4**

works symbol | type of anchor **FXA** thread size / thickness of fixture (t_{fix})
 placed on marking area 2 or marking area 3 identification **A4**
 placed on marking area 2

Table A2.1: Letter-code on marking area 1 and maximum thickness of fixture t_{fix} :

Marking	A	B	C	D	E	F	G	H	I	K	L	M	N	O	P	R	S	T	U	V	W	X	Y	Z
Max. t_{fix}	5	10	15	20	25	30	35	40	45	50	60	70	80	90	100	120	140	160	180	200	250	300	350	400

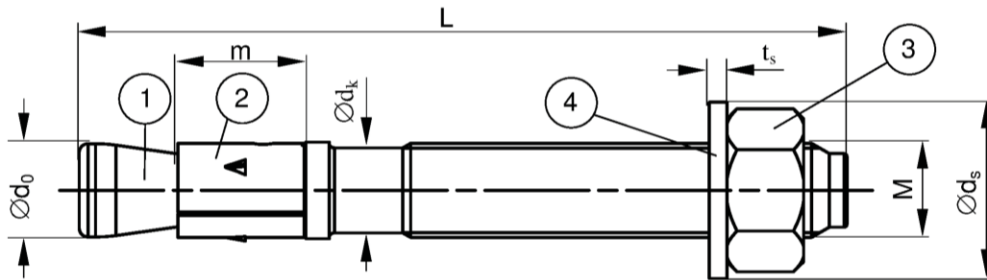


Table A2.2: Anchor dimensions [mm]

Part	Designation	FXA, FXA A4					
		M8	M10	M12	M16		
1	Cone bolt	M					
		$\varnothing d_0$	=	8	10	12	16
		$\varnothing d_k$		7,9	9,9	11,9	15,9
2	Expansion sleeve	m	=	7,1	8,9	10,8	14,5
				11,5	13,5	16,5	21,5
3	Hexagon nut	SW	=	13	17	19	24
4	Washer	t_s	\geq	1,4	1,8	2,3	2,7
		$\varnothing d_s$	\geq	15	19	23	29
Thickness of fixture		t_{fix}	\geq	0			
			\leq	200	250	300	400
Length of anchor		L_{min}	-	56	71	86	120
		L_{max}		261	316	396	520

fischer Bolt Anchor FXA, FXA A4

Product description
 Anchor Types and anchor dimensions

Annex A 2

Table A3.1: Materials FXA (zinc plated $\geq 5\mu\text{m}$, DIN EN ISO 4042: 2001-01)

Part	Designation	Material
1	Cone bolt	Cold form steel or free cutting steel
2	Expansion sleeve	Cold strip ¹⁾
3	Hexagon nut	Steel, property class 8
4	Washer	Cold strip

¹⁾ Optional stainless steel

Table A3.2: Materials FXA A4

Part	Designation	Material
1	Cone bolt	Stainless steel
2	Expansion sleeve	
3	Hexagon nut	Stainless steel, property class ≥ 70
4	Washer	Stainless steel

fischer Bolt Anchor FXA, FXA A4

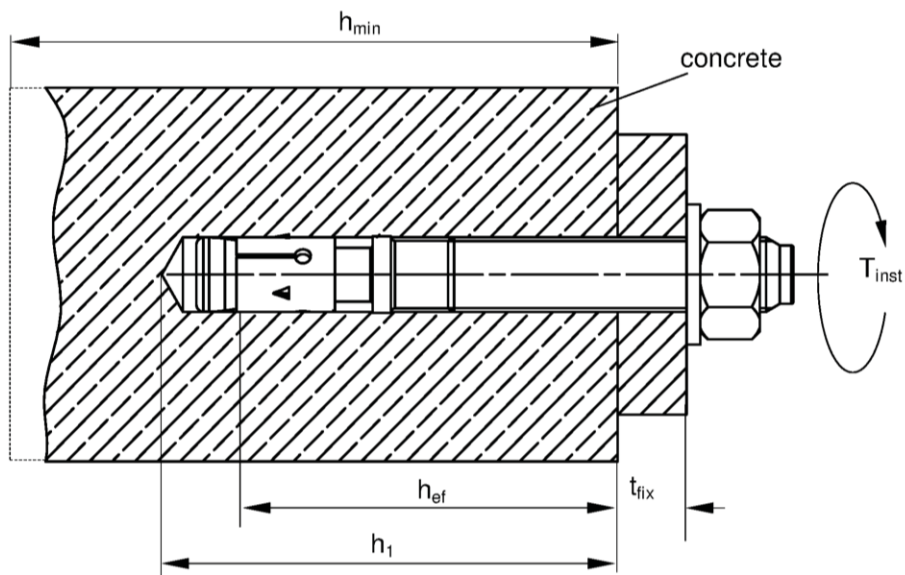
Product description
Materials

Annex A 3

Specifications of intended use					
fischer Bolt Anchor FXA, FXA A4		M8	M10	M12	M16
Material	Steel	✓			
	Zinc plated				
Stainless steel					
A4					
Static and quasi-static loads					
Uncracked concrete					
<p>Base materials:</p> <ul style="list-style-type: none"> Reinforced and unreinforced normal weight concrete according to EN 206-1: 2000 Strength classes C20/25 to C50/60 according to EN 206-1: 2000 <p>Use conditions (Environmental conditions):</p> <ul style="list-style-type: none"> Structures subject to dry internal conditions (FXA, FXA A4) Structures subject to external atmospheric exposure (including industrial and marine environment) and to permanently damp internal condition, if no particular aggressive conditions exist (FXA A4) <p>Note: Particular aggressive conditions are e.g. permanent, alternating immersion in seawater or the splash zone of seawater, chloride atmosphere of indoor swimming pools or atmosphere with extreme chemical pollution (e.g. in desulphurization plants or road tunnels where deicing materials are used)</p> <p>Design:</p> <ul style="list-style-type: none"> Anchorage are to be designed under the responsibility of an engineer experienced in anchorages and concrete work Verifiable calculation notes and drawings are to be prepared taking account of the loads to be anchored. The position of the anchor is indicated on the design drawings (e.g. position of the anchor relative to reinforcement or to supports, etc.) Design of fastenings according to FprEN 1992-4: 2016 and EOTA Technical Report TR 055 <p>Installation:</p> <ul style="list-style-type: none"> Anchor installation carried out by appropriately qualified personnel and under the supervision of the person responsible for technical matters of the site Hammer or Hollow drilling according to Annex B3 					
fischer Bolt Anchor FXA, FXA A4				Annex B 1	
Intended Use Specifications					

Table B2.1: Installation parameters

Type of anchor / size FXA, FXA A4		M8	M10	M12	M16
Nominal drill hole diameter	$d_0 =$	8	10	12	16
Cutting diameter of drill bit	$d_{cut} \leq$	8,45	10,45	12,5	16,5
Effective anchorage depth	$h_{ef} =$ [mm]	40	50	65	80
Depth of drill hole in concrete	$h_1 \geq$	56	68	85	104
Diameter of clearance hole in the fixture	$d_f \leq$	9	12	14	18
Required torque moment FXA (zinc plated)	$T_{inst} =$ [Nm]	15	30	50	100
Required torque moment FXA A4		10	20	35	80



- h_{ef} = Effective anchorage depth
- t_{fix} = Thickness of fixture
- h_1 = Drill hole depth
- h_{min} = Thickness of concrete member
- T_{inst} = Required torque moment

fischer Bolt Anchor FXA, FXA A4

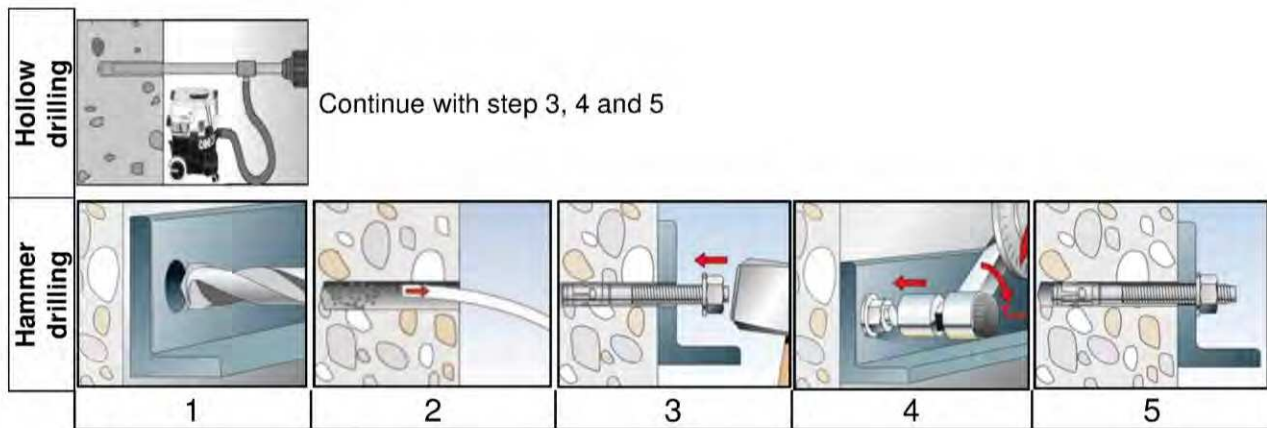
Intended Use
Installation instructions

Annex B 2

Table B3.1: Minimum thickness of concrete members, minimum spacing and minimum edge distances

Type of anchor / size FXA, FXA A4		M8	M10	M12	M16
Minimum thickness of member	h_{min}	100		120	160
Minimum spacing	s_{min} [mm]	40	70		120
Minimum edge distance	c_{min}	45	55	70	90

Installation instructions



No.	Description	
1	Create drill hole with hammer drill	Create drill hole with hollow drill and vacuum cleaner
2	Clean bore hole	-
3	Set anchor	
4	Expand anchor with prescribed installation torque T_{inst}	
5	Finished installation	

Types of drills

Hammer drill



Hollow drill



fischer Bolt Anchor FXA, FXA A4

Intended Use
Minimum spacing and edge distance
Installation instructions

Annex B 3

Table C1.1: Characteristic values of tension resistance						
Type of anchor / size for FXA and FXA A4			M8	M10	M12	M16
Steel failure						
Characteristic resistance	$N_{Rk,s}$	[kN]	16	25	36	67
Partial factor for steel failure	$\gamma_{Ms}^{1)}$	[-]	1,4			1,5
Pullout failure						
Characteristic resistance C20/25	$N_{Rk,p}$	[kN]	12	16	25	35
Increasing factors for $N_{Rk,p}$	ψ_c	C25/30	1,12			
		C30/37	1,23			
		C35/45	1,32			
		C40/50	1,41			
		C45/55	1,50			
		C50/60	1,58			
Installation sensitivity factor	γ_{inst}	[-]	1,2			1,0
Concrete cone and splitting failure						
Effective anchorage depth	h_{ef}	[mm]	40	50	65	80
Factor k_1 for uncracked concrete	$k_{ucr,N}$	[-]	11,0			
Spacing	$s_{cr,N}$	[mm]	3 h_{ef}			
Edge distance	$c_{cr,N}$		1,5 h_{ef}			
Spacing (splitting failure)	$s_{cr,sp}$		190	200	290	350
Edge distance (splitting failure)	$c_{cr,sp}$		95	100	145	175
¹⁾ In absence of other national regulations						
fischer Bolt Anchor FXA, FXA A4					Annex C 1	
Performances Characteristic values of tension resistance						

Table C2.1: Characteristic values of **shear** resistance

Type of anchor / size	FXA, FXA A4				
	M8	M10	M12	M16	
Steel failure without lever arm					
Characteristic resistance	$V_{Rk,s}$ [kN]	11	17	25	47
Partial factor for steel failure	$\gamma_{Ms}^{1)}$ [-]	1,25			
Steel failure with lever arm and concrete pryout failure					
Characteristic bending moment	$M_{Rk,s}^0$ [Nm]	23	45	79	200
Partial factor for steel failure	$\gamma_{Ms}^{1)}$ [-]	1,25			
Factor for pryout	k_g [-]	1		2	
Concrete edge failure					
Effective length of anchor	l_f [mm]	40	50	65	80
Effective diameter of anchor	d_{nom} [mm]	8	10	12	16

¹⁾ In absence of other national regulations

Table C2.2: Displacements due to **tension** loads

Type of anchor / size	FXA, FXA A4	M8	M10	M12	M16
Tension load	N [kN]	4,7	6,3	9,9	16,5
Displacements	$\frac{\delta_{N0}}{\delta_{N\infty}}$ [mm]	0,6	0,9	1,9	1,8
		3,1			

Table C2.3: Displacements due to **shear** loads

Type of anchor / size	FXA, FXA A4	M8	M10	M12	M16
Shear load	V [kN]	6,3	9,5	14,3	26,8
Displacements	$\frac{\delta_{V0}}{\delta_{V\infty}}$ [mm]	1,8	2,4		2,6
		2,7	3,6		3,9

fischer Bolt Anchor FXA, FXA A4

Performances

Characteristic values of shear resistance
Displacement under tension and shear loads

Annex C 2